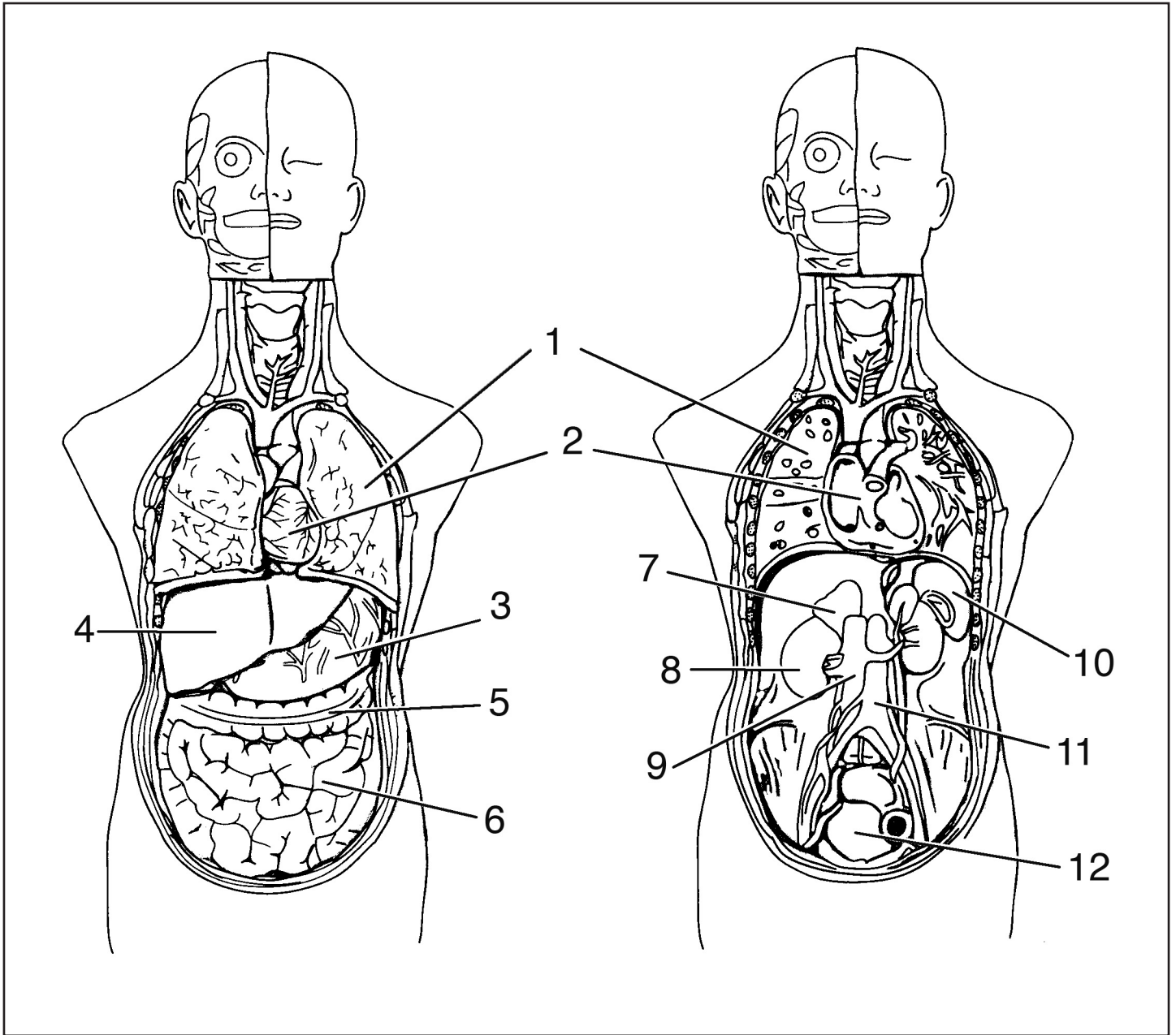


Key to the Torso

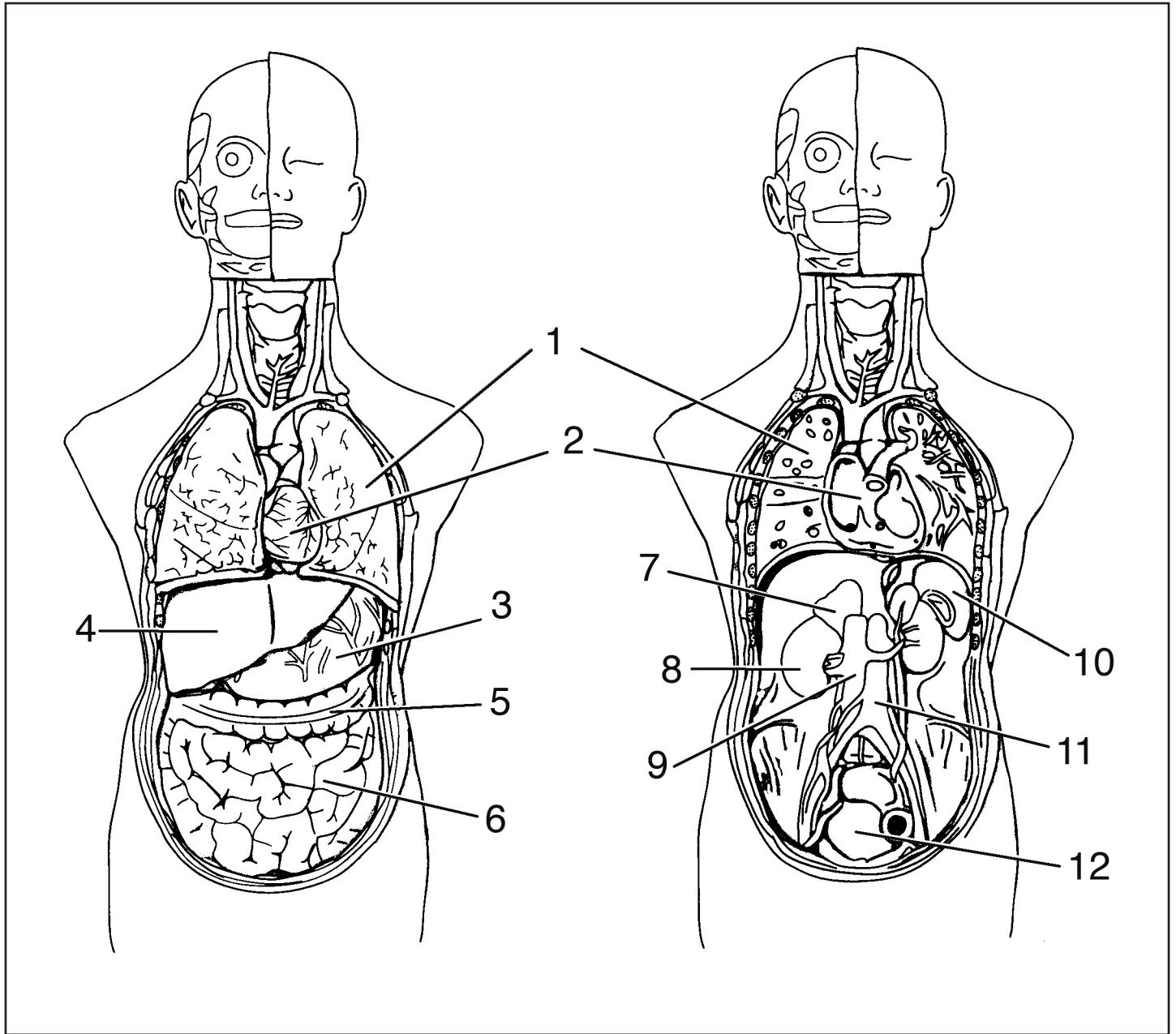
STOCK REF: 03011



- | | | |
|------------|---------------------|-----------------------|
| 1. Lung | 5. Transverse Colon | 9. Inferior Vena Cava |
| 2. Heart | 6. Small Intestine | 10. Spleen |
| 3. Stomach | 7. Adrenal Gland | 11. Abdominal Aorta |
| 4. Liver | 8. Kidney | 12. Bladder |

Key to the Torso

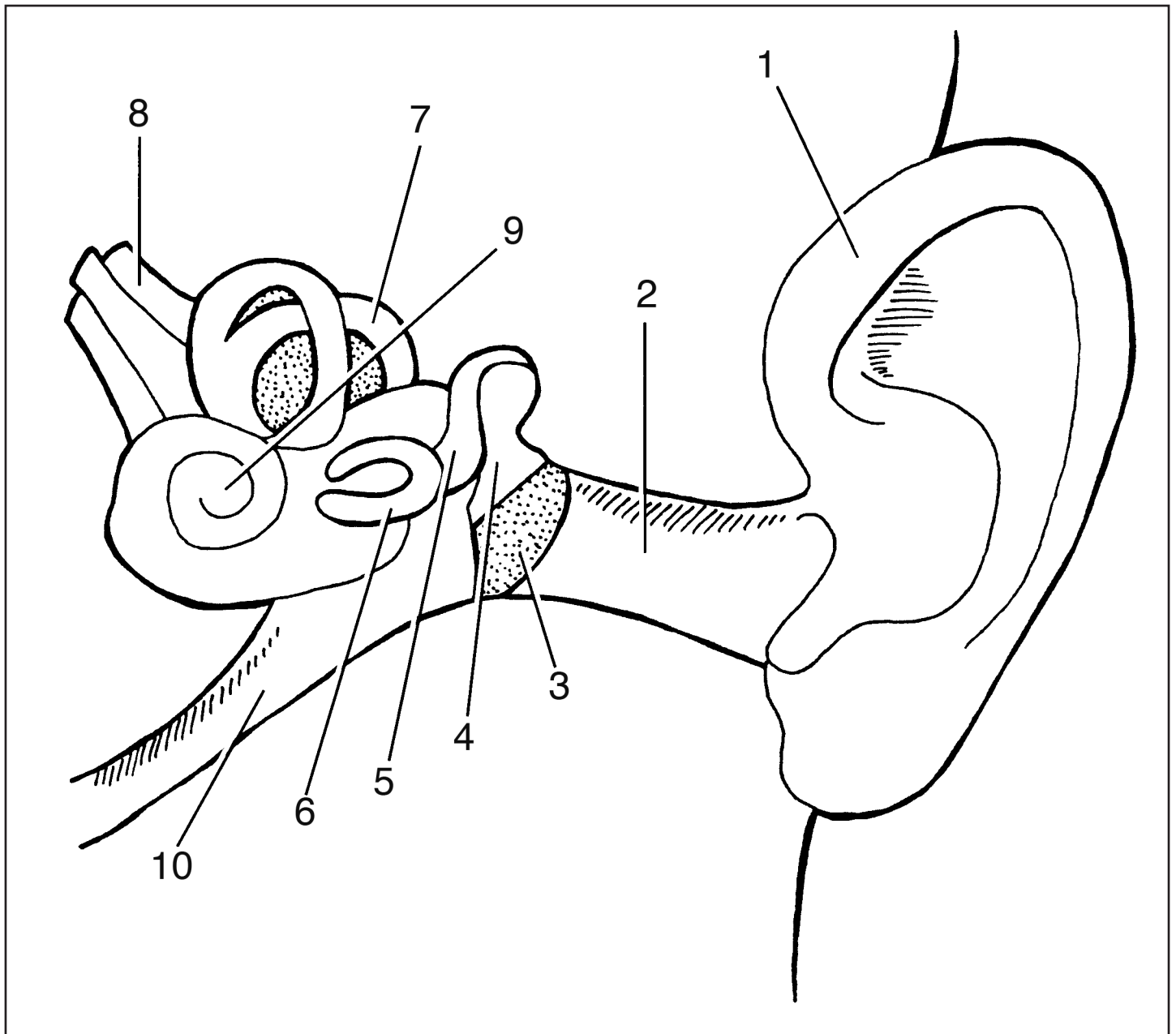
STOCK REF: 03011



- | | | |
|----------|----------|-----------|
| 1. _____ | 5. _____ | 9. _____ |
| 2. _____ | 6. _____ | 10. _____ |
| 3. _____ | 7. _____ | 11. _____ |
| 4. _____ | 8. _____ | 12. _____ |

Key to the Ear

STOCK REF: 03105



1. Outer Ear

2. Ear Canal

3. Ear Drum

4. Hammer

5. Anvil

6. Stirrup

7. Semi-circular Canals

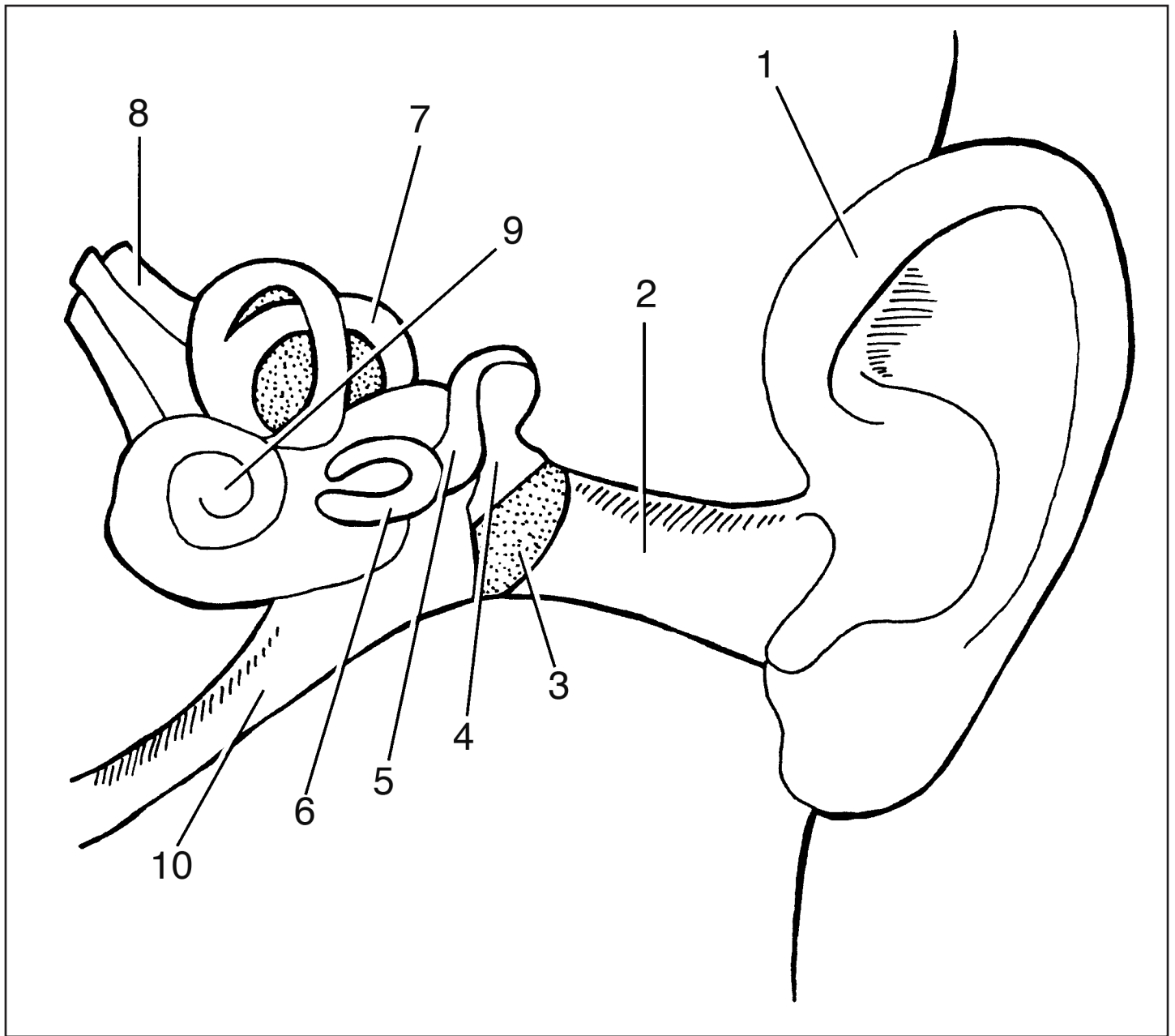
8. Auditory Nerves

9. Cochlea

10. Eustachian Tube

Key to the Ear

STOCK REF: 03105



1. _____

6. _____

2. _____

7. _____

3. _____

8. _____

4. _____

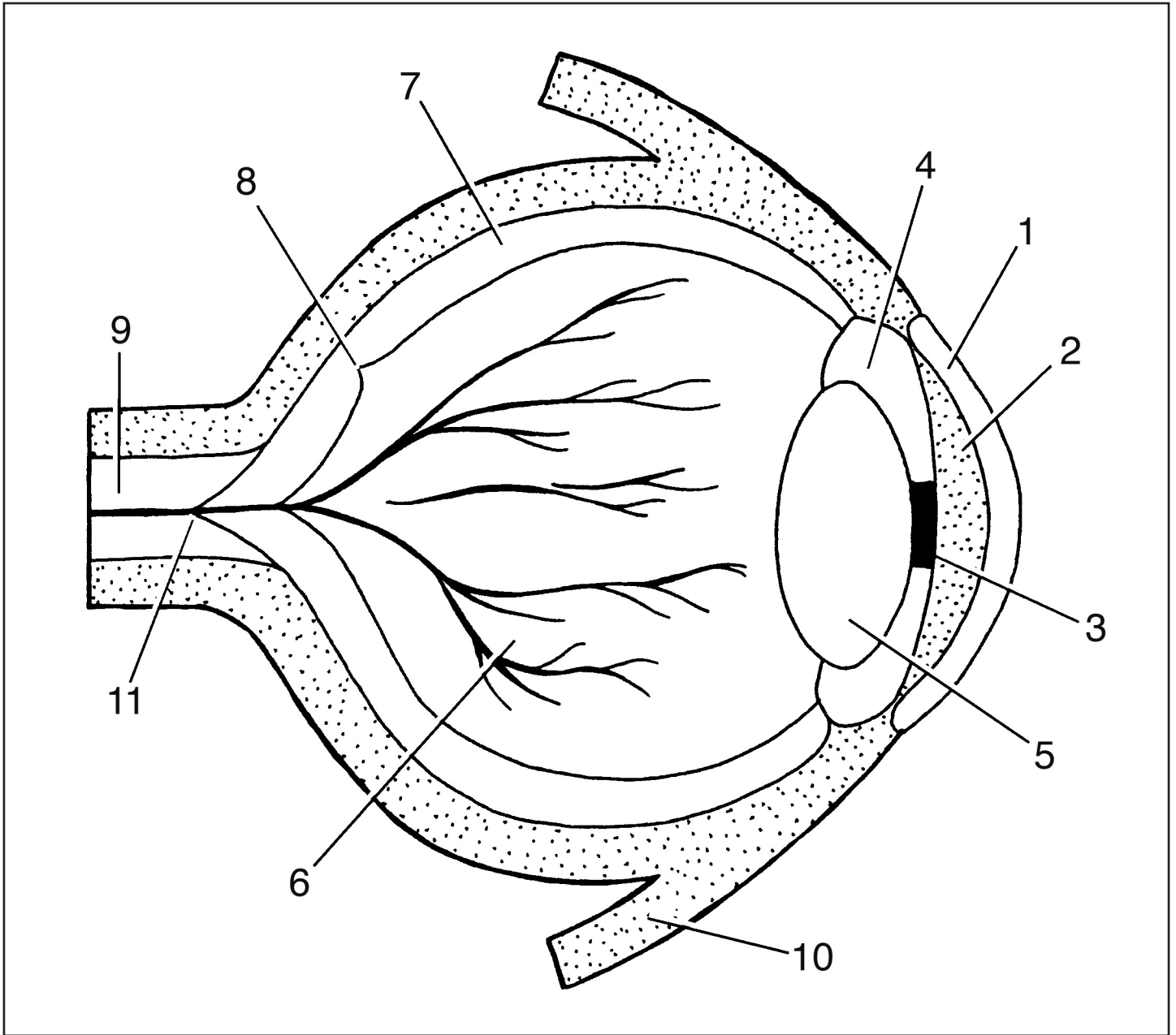
9. _____

5. _____

10. _____

Key to the Eye

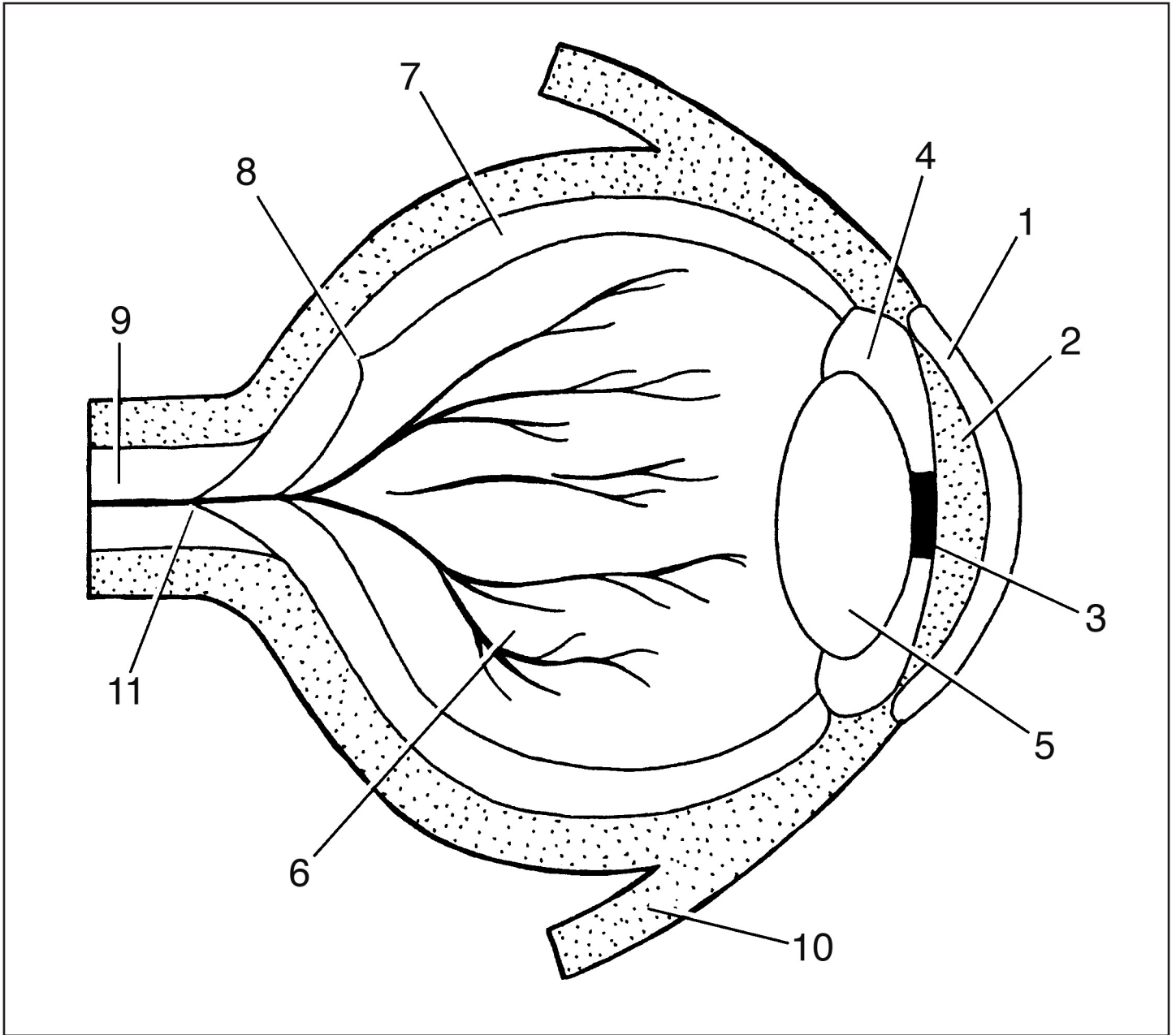
STOCK REF: 03101



- | | | |
|------------------|-------------------|-------------------|
| 1. Cornea | 5. Lens | 9. Optic Nerve |
| 2. Aqueous Humor | 6. Vitreous Humor | 10. Optic Muscles |
| 3. Pupil | 7. Retina | 11. Blind Spot |
| 4. Iris | 8. Fovea | |

Key to the Eye

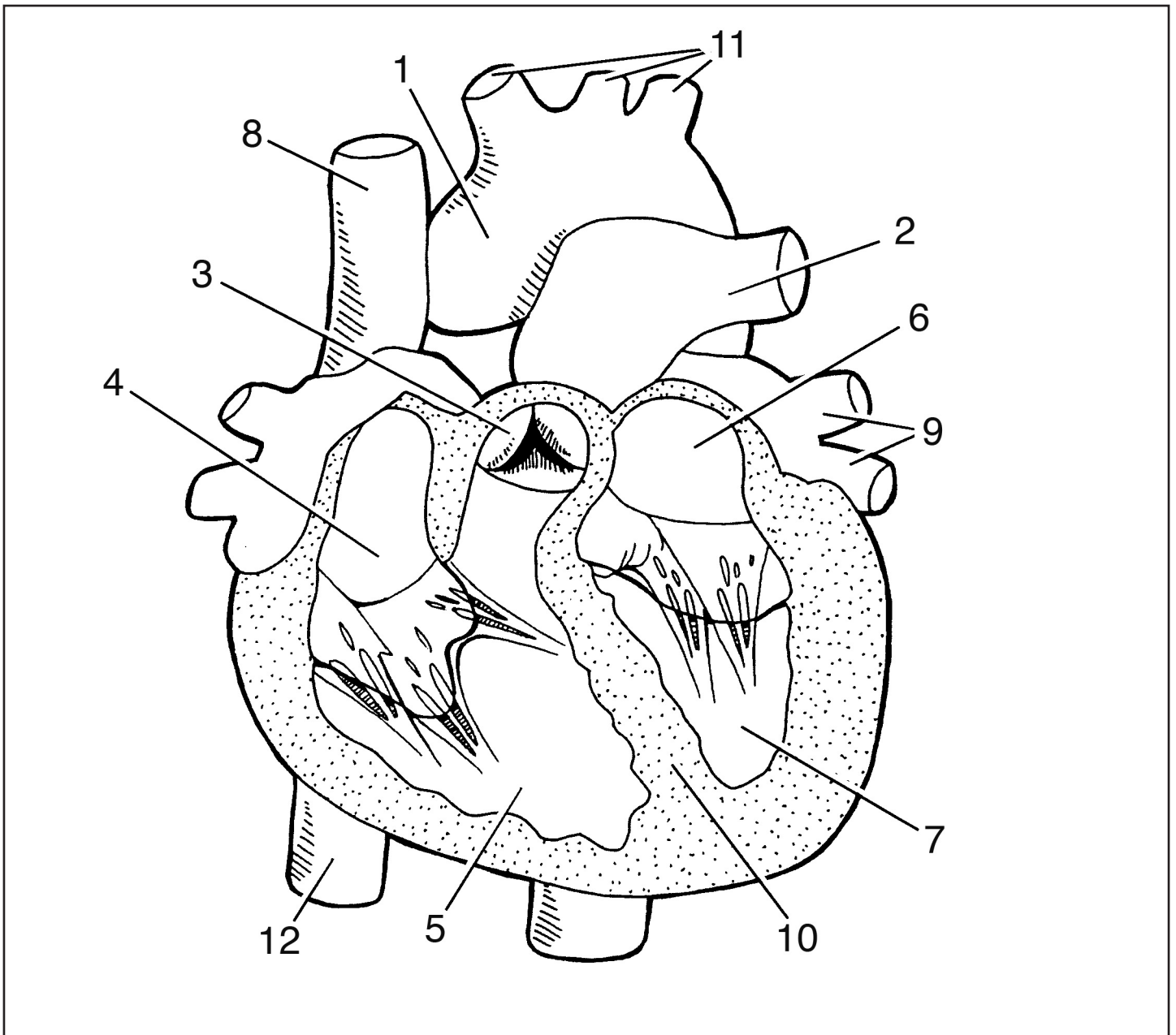
STOCK REF: 03101



- | | | |
|----------|----------|-----------|
| 1. _____ | 5. _____ | 9. _____ |
| 2. _____ | 6. _____ | 10. _____ |
| 3. _____ | 7. _____ | 11. _____ |
| 4. _____ | 8. _____ | |

Key to the Heart

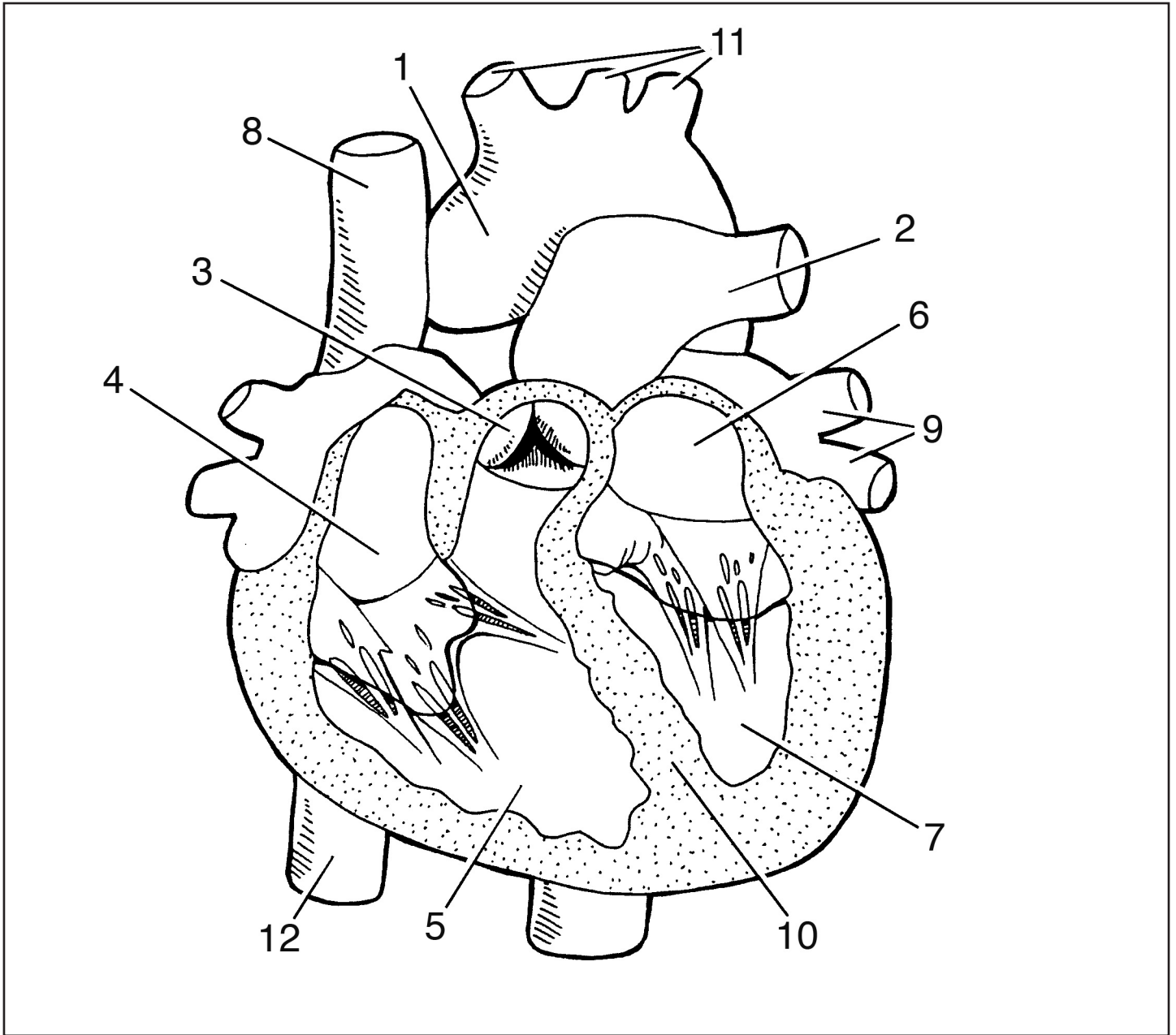
STOCK REF: 03109



- | | | |
|---------------------|-----------------------|-----------------------------|
| 1. Aorta | 5. Right Ventricle | 9. Pulmonary Veins |
| 2. Pulmonary Artery | 6. Left Auricle | 10. Septum |
| 3. Pulmonary Valve | 7. Left Ventricle | 11. Arteries to head & body |
| 4. Right Auricle | 8. Superior Vena Cava | 12. Inferior Vena Cava |

Key to the Heart

STOCK REF: 03109



1. _____

5. _____

9. _____

2. _____

6. _____

10. _____

3. _____

7. _____

11. _____

4. _____

8. _____

12. _____