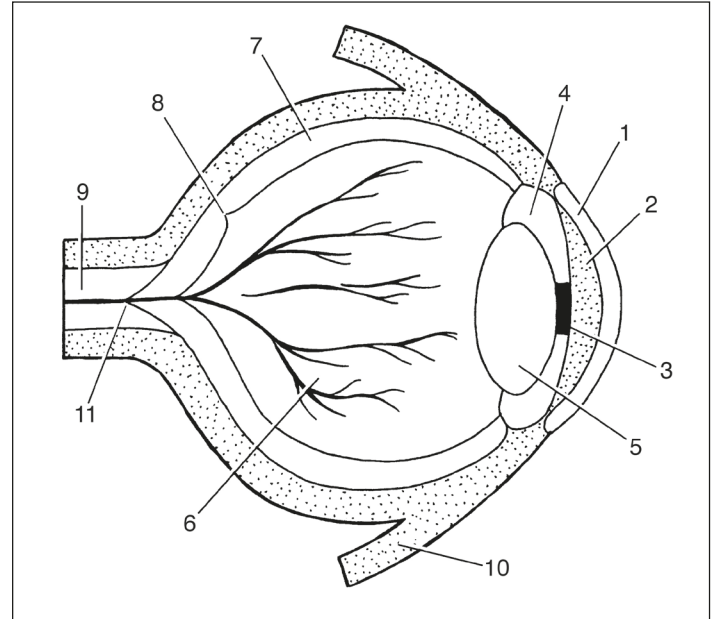
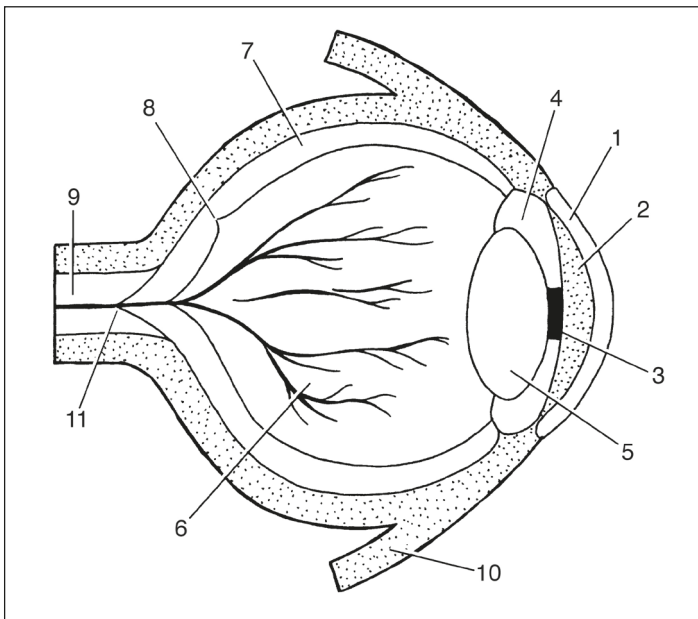


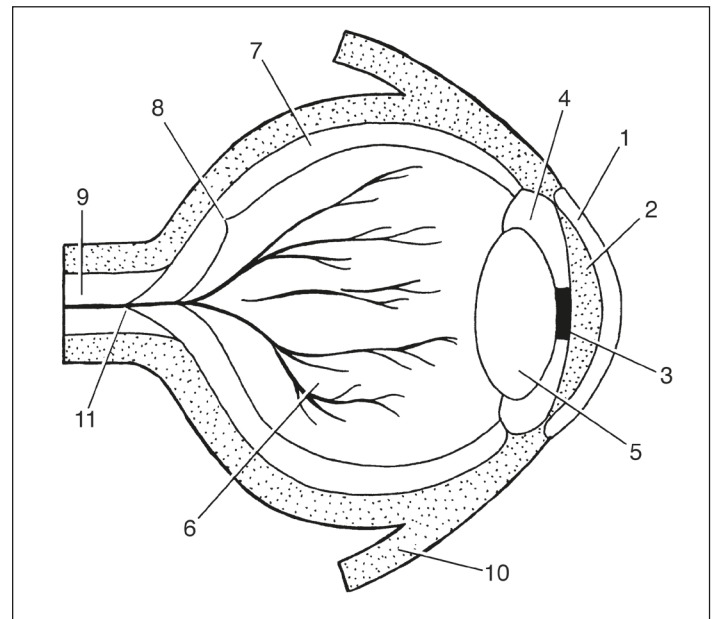
- |                  |                   |                   |
|------------------|-------------------|-------------------|
| 1. Cornea        | 5. Lens           | 9. Optical Nerve  |
| 2. Aqueous Humor | 6. Vitreous Humor | 10. Optic Muscles |
| 3. Pupil         | 7. Retina         | 11. Blind Spot    |
| 4. Iris          | 8. Fovea          |                   |



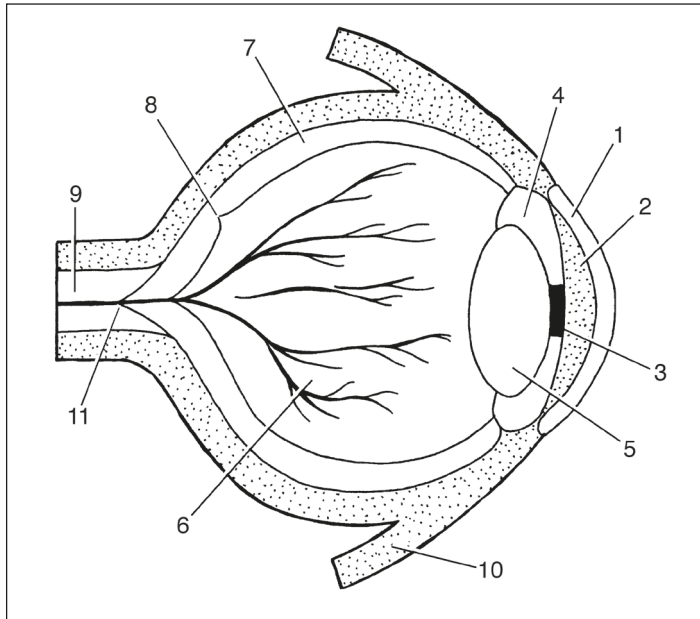
- |                   |                  |                      |
|-------------------|------------------|----------------------|
| 1. Cornée         | 5. Lentille      | 9. Nerf optique      |
| 2. Humeur aqueuse | 6. Humeur vitrée | 10. Muscles optiques |
| 3. Pupille        | 7. Rétine        | 11. Angle mort       |
| 4. Iris           | 8. Fovéa         |                      |



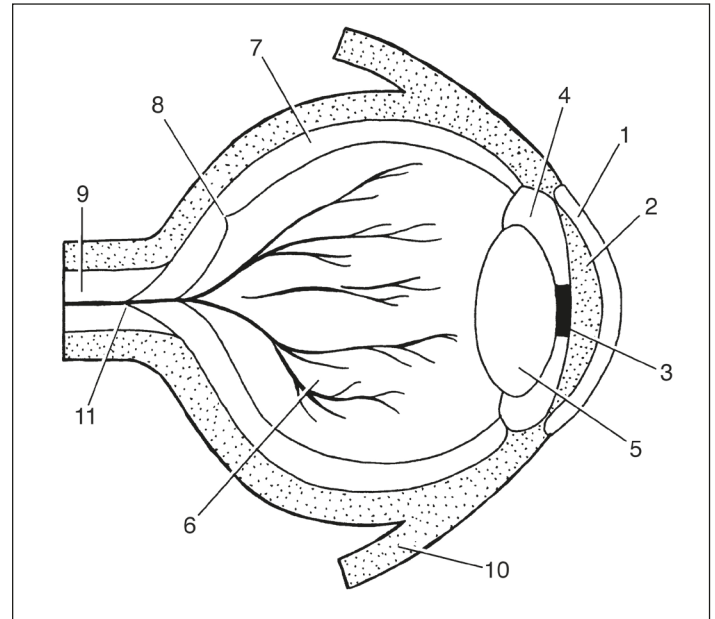
- |                 |               |                   |
|-----------------|---------------|-------------------|
| 1. Hornhaut     | 5. Linse      | 9. Sehnerv        |
| 2. Kammerwasser | 6. Glaskörper | 10. Augenmuskeln  |
| 3. Pupille      | 7. Netzhaut   | 11. Blinder Fleck |
| 4. Iris         | 8. Fovea      |                   |



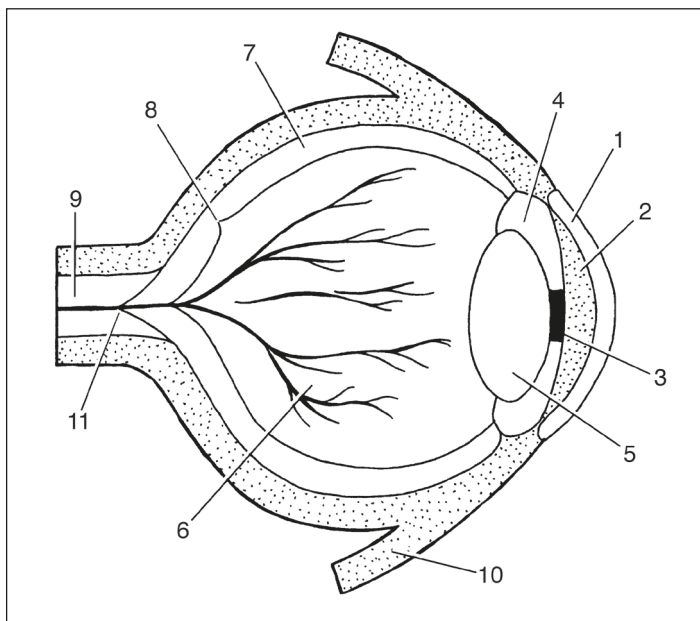
- |                 |                 |                       |
|-----------------|-----------------|-----------------------|
| 1. Córnea       | 5. Cristalino   | 9. Nervio óptico      |
| 2. Humor acuoso | 6. Humor vítreo | 10. Músculos oculares |
| 3. Pupila       | 7. Retina       | 11. Punto ciego       |
| 4. Iris         | 8. Fóvea        |                       |



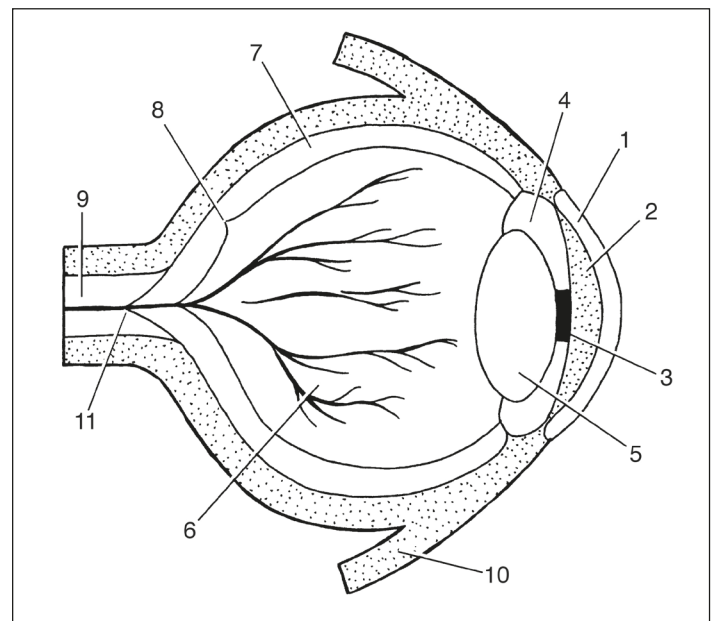
- |                        |                        |                           |
|------------------------|------------------------|---------------------------|
| 1. <u>Cornea</u>       | 5. <u>Lente</u>        | 9. <u>Nervo ottico</u>    |
| 2. <u>Umore acqueo</u> | 6. <u>Umore vitreo</u> | 10. <u>Muscoli ottici</u> |
| 3. <u>Pupilla</u>      | 7. <u>Retina</u>       | 11. <u>Punto cieco</u>    |
| 4. <u>Iride</u>        | 8. <u>Fovea</u>        |                           |



- |                          |                          |                                 |
|--------------------------|--------------------------|---------------------------------|
| 1. <u>Rogówka</u>        | 5. <u>Soczewka</u>       | 9. <u>Nerw wzrokowy</u>         |
| 2. <u>Ciecz wodnista</u> | 6. <u>Ciecz szklista</u> | 10. <u>Mięśnie gałki ocznej</u> |
| 3. <u>Żrenica</u>        | 7. <u>Siatkówka</u>      | 11. <u>Plamka ślepa</u>         |
| 4. <u>Tęczówka</u>       | 8. <u>Dołek</u>          |                                 |



- |                        |                     |                           |
|------------------------|---------------------|---------------------------|
| 1. <u>Hornhinna</u>    | 5. <u>Lins</u>      | 9. <u>Synnerv</u>         |
| 2. <u>Kammarvatten</u> | 6. <u>Glaskropp</u> | 10. <u>Synmuskler</u>     |
| 3. <u>Pupill</u>       | 7. <u>Nätthinna</u> | 11. <u>Blinda fläcken</u> |
| 4. <u>Iris</u>         | 8. <u>Fovea</u>     |                           |



- |                      |                              |                        |
|----------------------|------------------------------|------------------------|
| 1. <u>Hoornvlies</u> | 5. <u>Lens</u>               | 9. <u>Oogzenuw</u>     |
| 2. <u>Kamerwater</u> | 6. <u>Glasachtig lichaam</u> | 10. <u>Oogspieren</u>  |
| 3. <u>Pupil</u>      | 7. <u>Netvlies</u>           | 11. <u>Blinde vlek</u> |
| 4. <u>Iris</u>       | 8. <u>Fovea</u>              |                        |